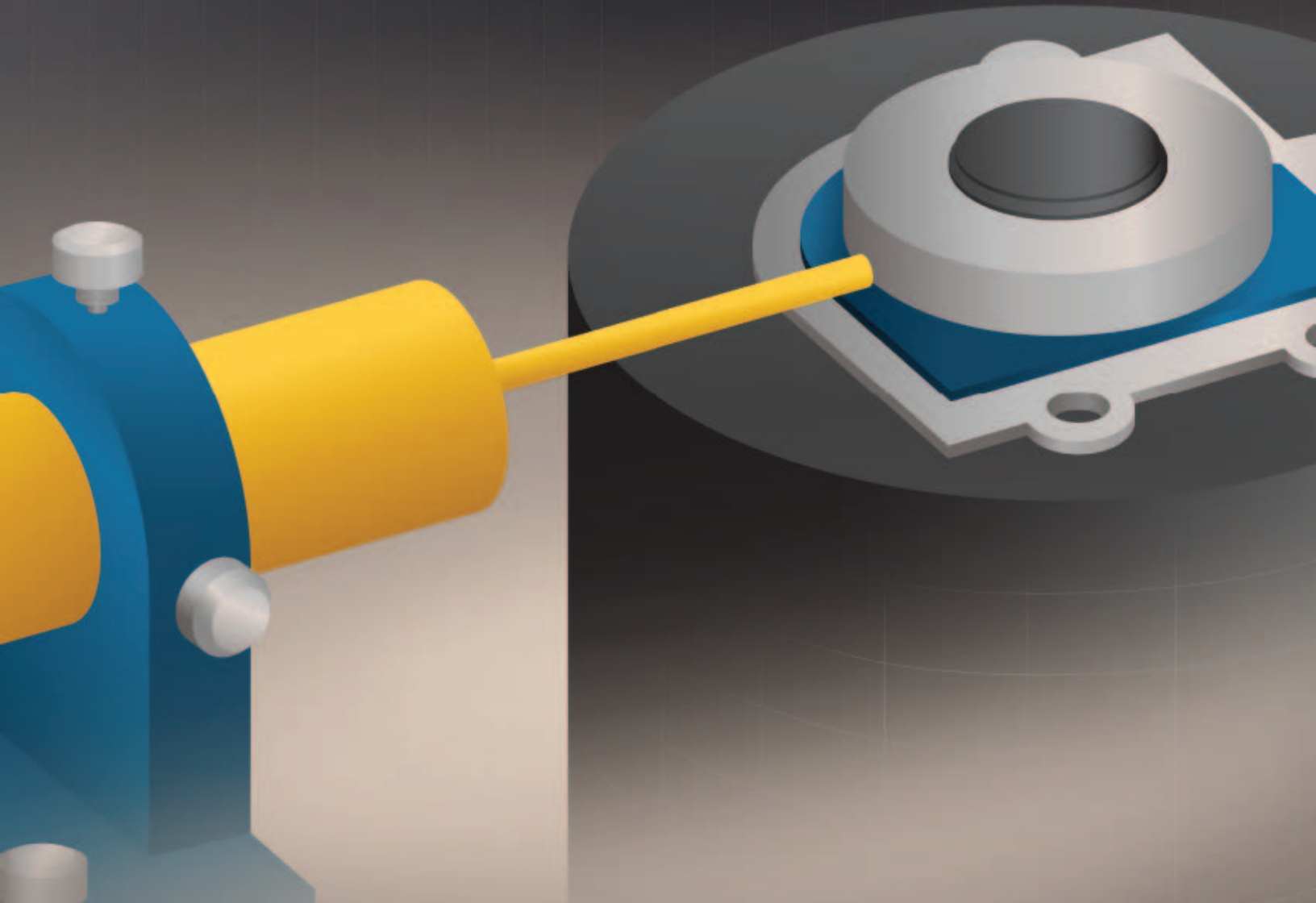




ROTATION ACCURACY MEASUREMENT JIG USING TWO AXIS (XY) STAGE



**TIME
SAVER**



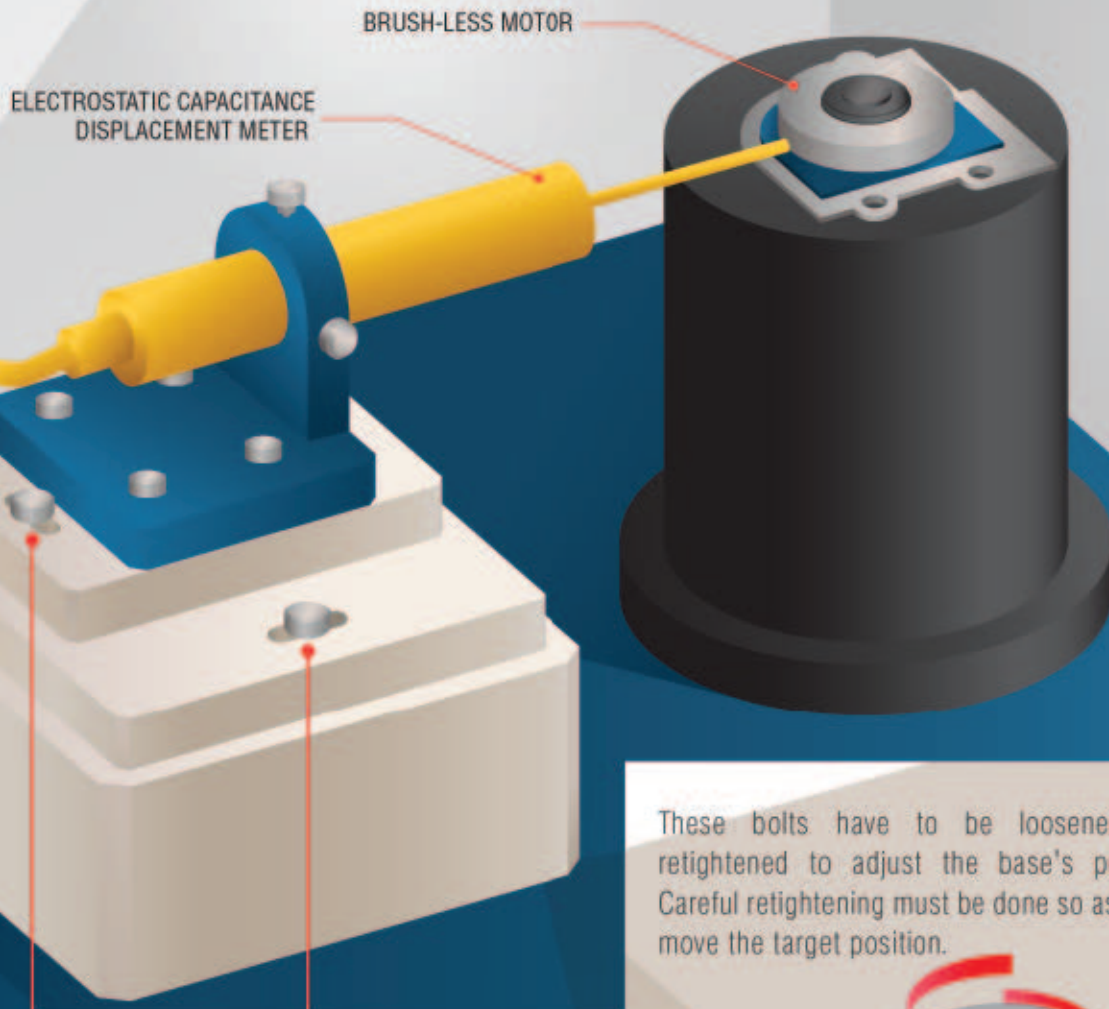
**COST
SAVER**



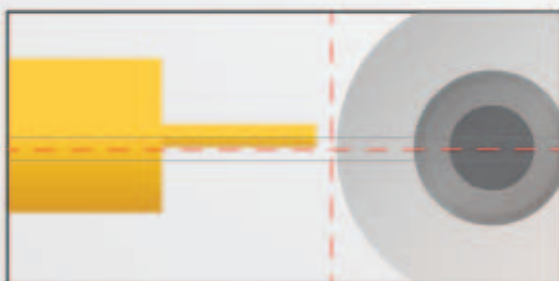
**PROCESS
IMPROVEMENT**



USING THE ELECTROSTATIC CAPACITANCE DISPLACEMENT METER IS INEFFICIENT.



These bolts have to be loosened and retightened to adjust the base's position. Careful retightening must be done so as not to move the target position.

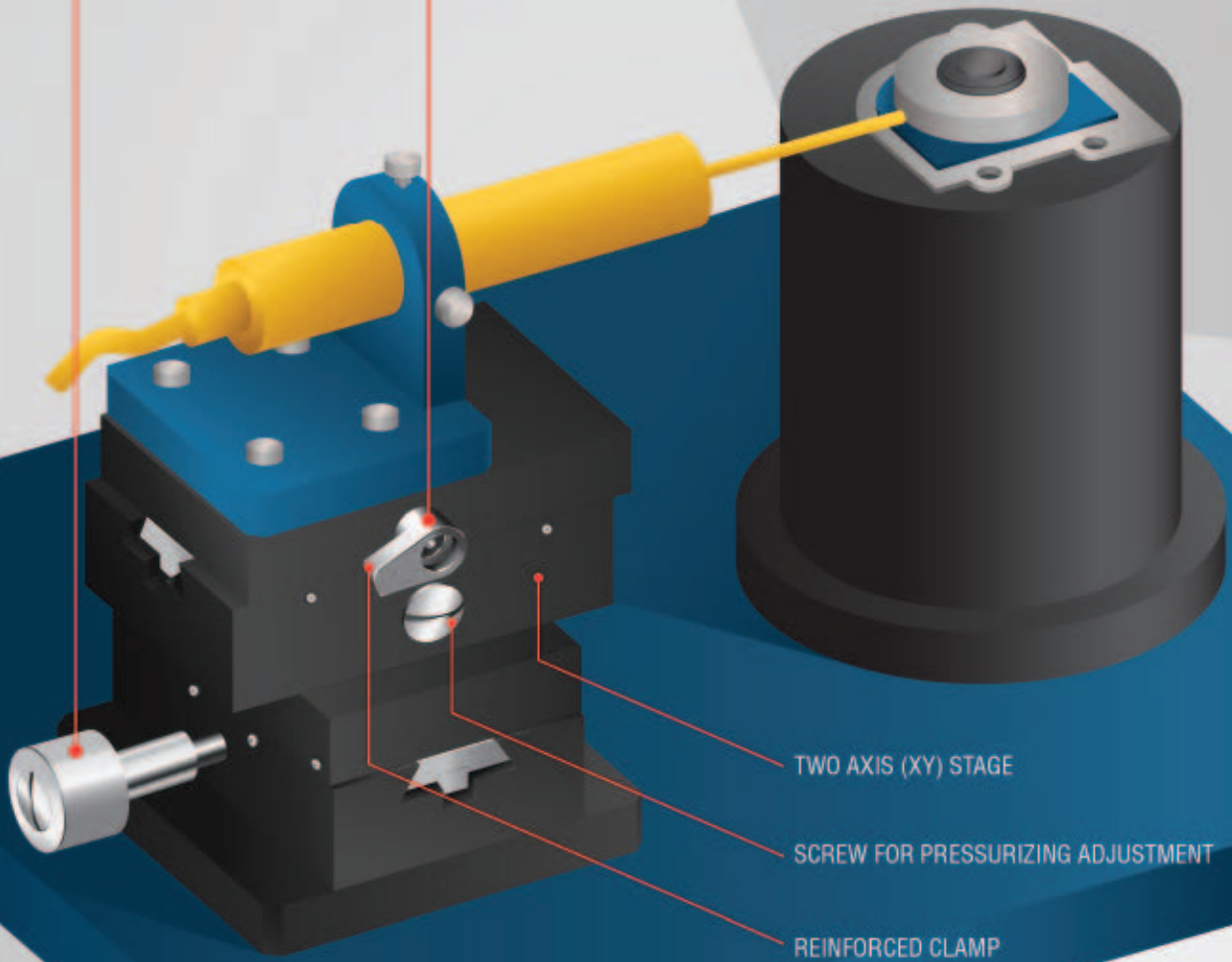


The brushless motor's rotation accuracy is measured using the electrostatic capacitance displacement meter. As each base moves along the two-axis direction, extra careful retightening of the bolts after selecting the target position is done. The displacement meter's head needs to be near but not in direct contact with the brushless motor - but this condition is seldom achieved because misalignment ensues from retightening all the bolts.



THE XY STAGE IS USED FOR EASY ADJUSTING OF THE METER'S POSITION.

Turn the handle of X axis and Y axis respectively, decide the position fix with stopper. The operation can be done with one hand!



TWO AXIS STAGE (XYJK-60)



SMOOTH SLIDING



HIGH QUALITY



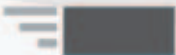
HIGH DURABILITY



PRESSURIZATION
FUNCTION



STAGE SURFACE:
40MM X 60MM



MOVEMENT:
 $\pm 21\text{MM}$



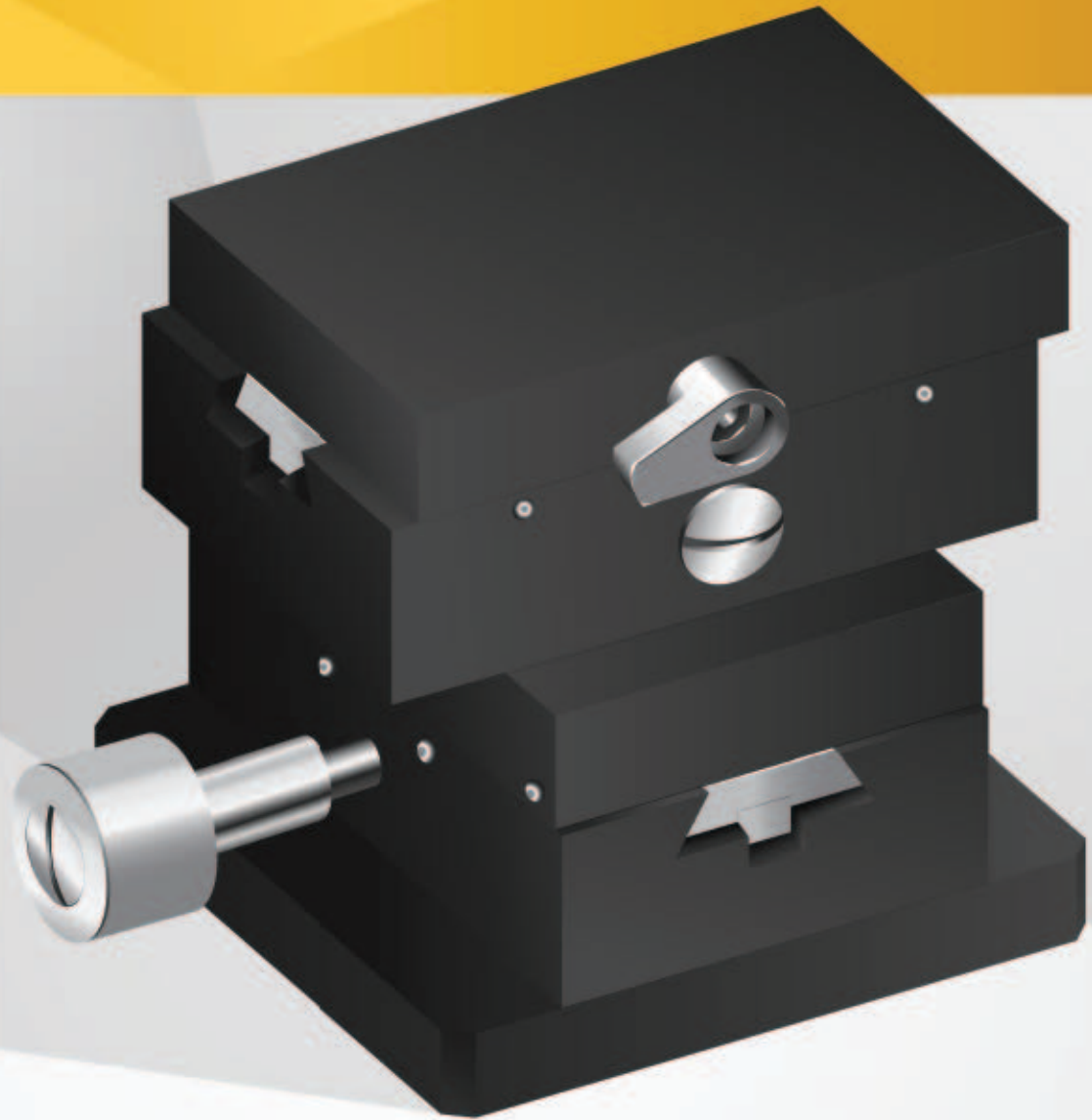
WEIGHT: 0.51 KG



MADE OF
ALUMINUM ALLOY



SATIN BLACK
ANODIZED ALUMINUM



POINTS TO FOLLOW DURING APPLICATION:
THE REINFORCED CLAMP LEVER CAN BE ARRANGED.

Bolt with hexagonal hole (widely available in the market) is used for the reinforced clamp lever, but screw length and tightness can be customized depending on the user's specification.